



# RELAYS & CONTACTORS

## IDEC SOLID STATE RELAYS RSC SERIES

### DESCRIPTION

The **RSC Series** solid-state relays accept a 4-32 VDC control input and offer optical isolation between the input and output. The **RSC Series** is designed for DIN or panel mounting and features zero switching voltage, built-in transient protection, and LED indication. The built-in heat sink maximizes current output capabilities-ideal for controlling inductive loads, lamps, motors, and transformers.

### FEATURES

- **Built-in heat sink**
- **4200V optical isolation**
- **Zero-voltage switching**
- **Built-in transient protection**
- **Dual SCR output**
- **Input status LED**



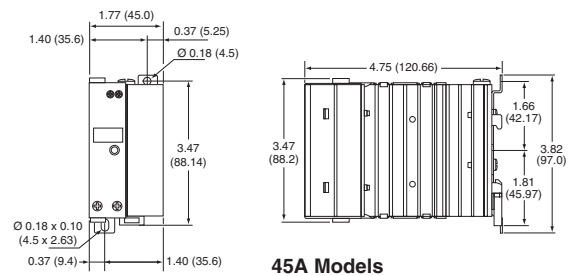
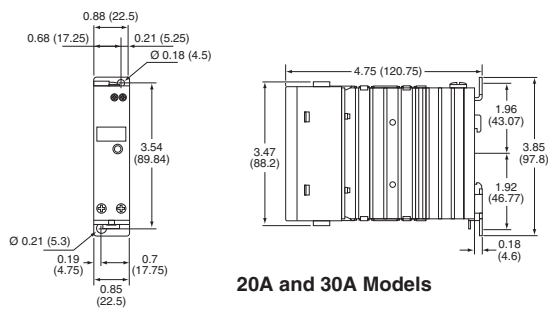
RSCDN Series

### SPECIFICATIONS

<b>Input Current</b>	16 mA minimum
<b>Frequency Range</b>	47 - 63 HZ
<b>Drop Out Voltage</b>	1 VDC
<b>Voltage Range</b>	4 - 32 VDC
<b>Contact Type</b>	SPST-N.O.
<b>Off State Leakage</b>	120 µA @ 32 VDC
<b>Isolation</b>	4200 Vrms
<b>Minimum Current</b>	100 mA
<b>Output Current</b>	20A, 30A, 45A
<b>Output Voltage</b>	48 - 600 VAC
<b>Voltage Drop</b>	1.2V @ rated current (maximum)
<b>Dielectric Strength</b>	4000 Vrms minimum
<b>Zero Voltage Switching</b>	Yes

<b>Wire Size</b>	
<b>Input</b>	16 - 24 AWG
<b>Output</b>	8 - 16 AWG
<b>Turn Off Time</b>	10 ms @ 50 Hz; 8.33 ms @ 60Hz
<b>Turn On Time</b>	10 ms @ 50 Hz; 8.33 ms @ 60Hz
<b>Operating Temperature</b>	-4° to 176°F (-20° to 80°C)
<b>Materials Of Construction</b>	
<b>Heat sink</b>	Anodized black aluminum
<b>Housing</b>	Polycarbonate UL94-10
<b>Approvals</b>	UL-recognized component, File #E194577; CSA CE certified
<b>Weight</b>	
<b>20A, 30A models</b>	0.5 lb (0.225 kg)
<b>45A model</b>	0.88 lb (0.4 kg)
<b>Warranty</b>	1 Year

### DIMENSIONS



### ORDERING INFORMATION

MODEL	DESCRIPTION
<b>RSCDN-20A</b>	Solid state relay with built-in heat sink, 20A
<b>RSCDN-30A</b>	Solid state relay with built-in heat sink, 30A
<b>RSCDN-45A</b>	Solid state relay with built-in heat sink, 45A